

TECHNICAL SUBMISSION

Polywarm Maxi PWB 1000 Litre Vertical Buffer Vessel

General Description:

The Polywarm Maxi PWB 1000 Litre Vertical DHW buffer vessel is manufactured using carbon steel, with a patented WRAS approved internal coating.

The cylinder is suitable for use in open vented applications, or un-vented applications with an optional/additional un-vented kit. The potable water expansion vessel supplied with the matched un-vented kit has a nominal allowance for the capacity of the secondary hot water pipe-work. This allowance is approximately 17.5% of the capacity of the cylinder. If the volume of the secondary pipe-work is likely to exceed this figure, an appropriately sized additional expansion vessel must also be installed.

As the cylinder is resistant to corrosion, there are no sacrificial anodes to check or change, or the requirement for a powered active protection system to monitor.


The cylinders are supplied with a matched temperature and pressure relief valve as standard. The cylinder is also supplied with a control and limit thermostat for control interaction with the heat source. There are suitably positioned sensor pockets and a tapping for an optional element if required

The cylinder body is manufactured from carbon steel and is supplied with a soft fleece insulation and removable jacket.


The cylinder body carries a three year warranty against material and manufacture faults. All other components carry a one year warranty against material and manufacture faults.



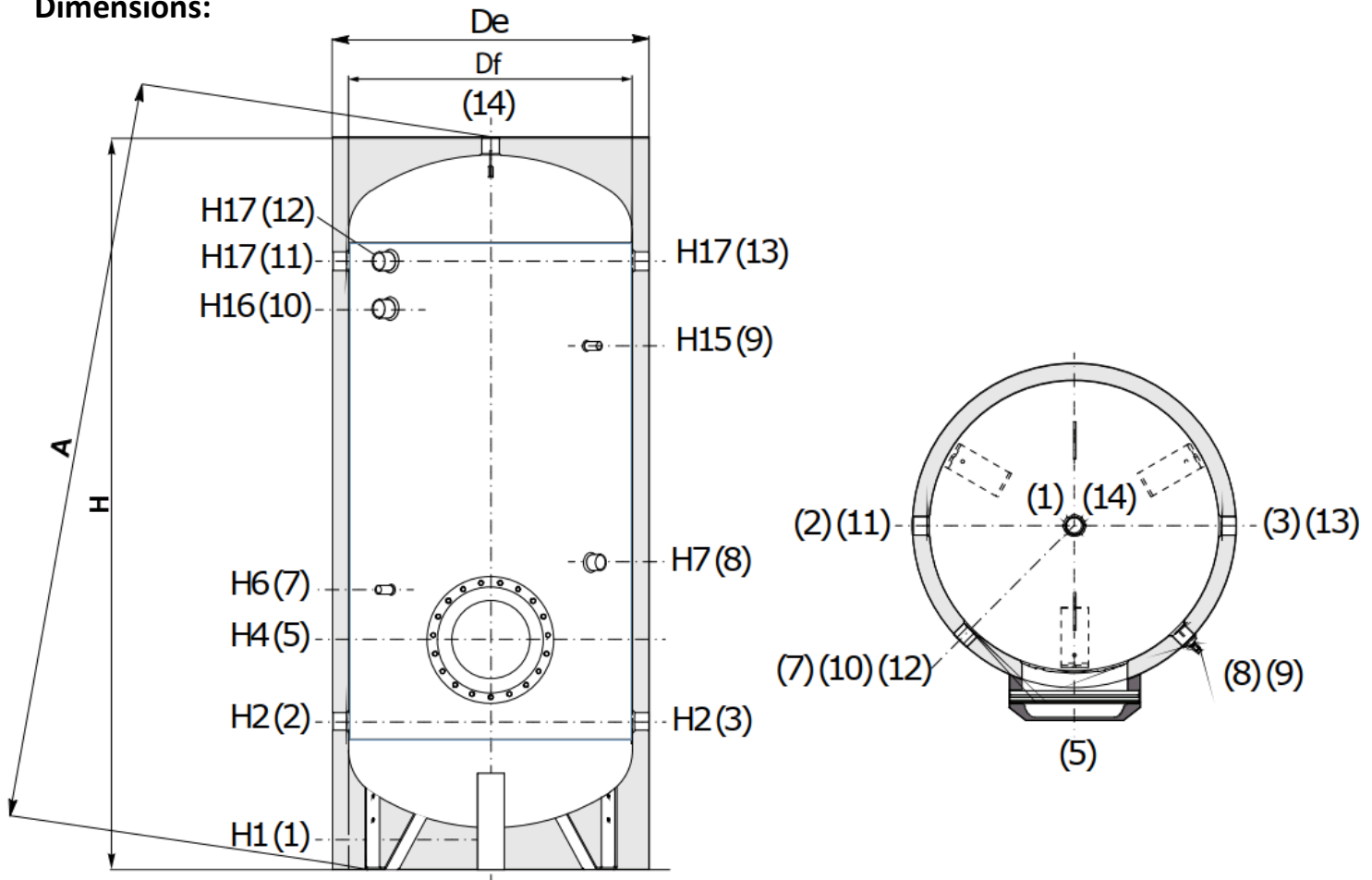
Technical Data:

Calorifier Model	PWB 1000 DHW Buffer Vessel	
Energy efficiency ¹ 	C	
Nominal Capacity	1010	Litres
Maximum working temperature	95	°C
Maximum secondary operating pressure	6	Bar
Weight empty/full	185/1192	kg

*Primary flow temperature 80°C

¹Energy Efficiency Class  Hot water storage tanks according to Directive 2010/30/EU and Regulation EU812/2013

Dimensions:



PWB 1000	Df	De	H	A	H1	H2	H4	H6	H7	H15	H16	H17
	850	1070	2188	2436	101	454	539	649	989	1645	1606	1760

All dimensions are in mm unless stated otherwise.

Connections:

PWB 1000	1	2, 3, 11, 13	5	7 & 9	8	10	12	14
	1 ½"	1 ½"	Øi 300mm	½"	1 ¼"	2"	2"	1 ½"