

## TECHNICAL SUBMISSION

### Polywarm Maxi PWB 2500 Litre Vertical Buffer Vessel

#### General Description:

The Polywarm Maxi PWB 2500 Litre Vertical DHW buffer vessel is manufactured using carbon steel, with a patented WRAS approved internal coating.

The cylinder is suitable for use in open vented applications, or un-vented applications with an optional/additional un-vented kit. The potable water expansion vessel supplied with the matched un-vented kit has a nominal allowance for the capacity of the secondary hot water pipe-work. This allowance is approximately 17.5% of the capacity of the cylinder. If the volume of the secondary pipe-work is likely to exceed this figure, an appropriately sized additional expansion vessel must also be installed.

As the cylinder is resistant to corrosion, there are no sacrificial anodes to check or change, or the requirement for a powered active protection system to monitor.


The cylinders are supplied with a matched temperature and pressure relief valve as standard. The cylinder is also supplied with a control and limit thermostat for control interaction with the heat source. There are suitably positioned sensor pockets and a tapping for an optional element if required

The cylinder body is manufactured from carbon steel and is supplied with a soft fleece insulation and removable jacket.

The cylinder body carries a three year warranty against material and manufacture faults. All other components carry a one year warranty against material and manufacture faults.



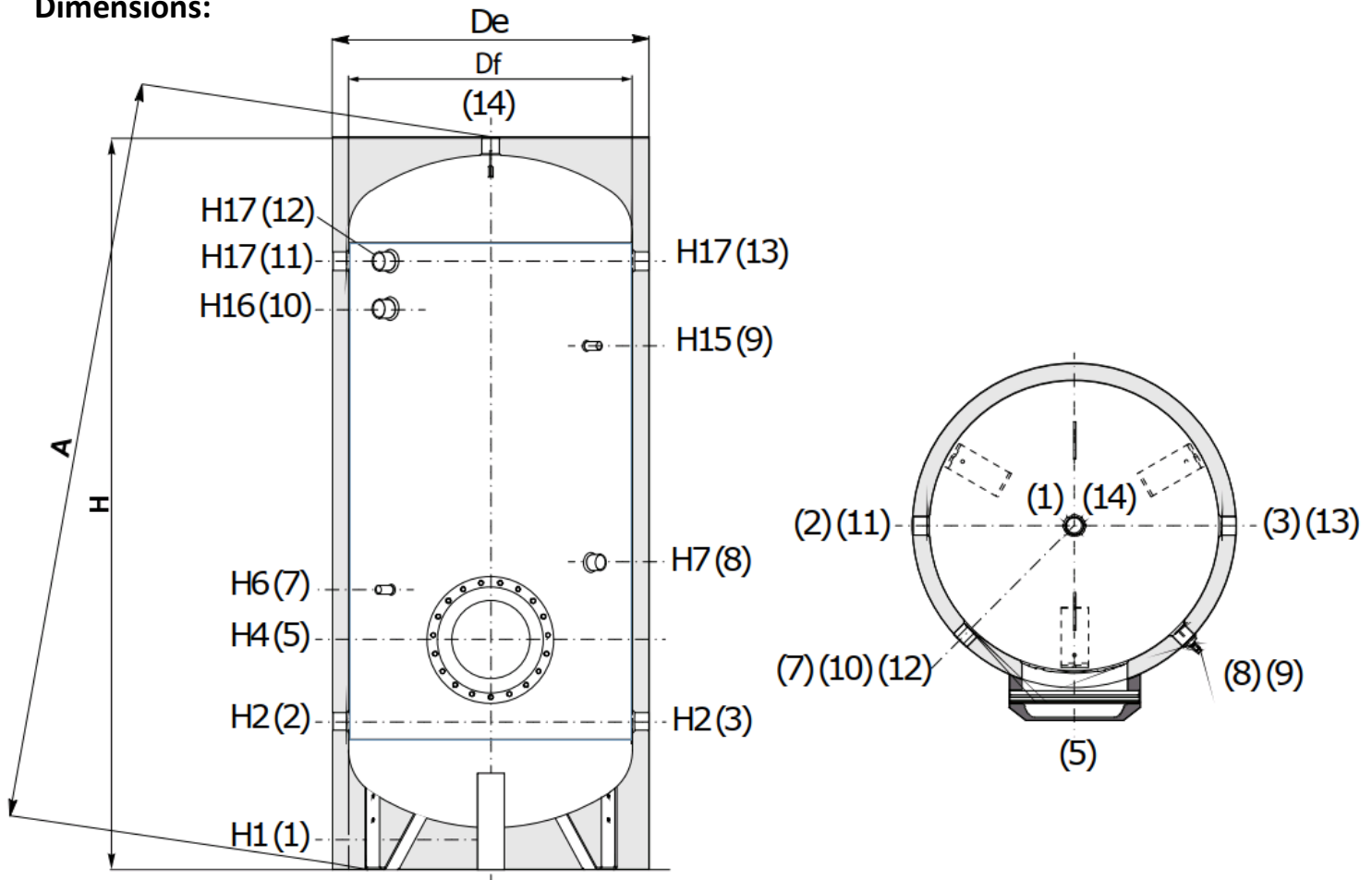
## Technical Data:

Calorifier Model	PWB 2500 DHW Buffer Vessel	
Energy efficiency <sup>1</sup> 	---	
Nominal Capacity	2310	Litres
Maximum working temperature	95	°C
Maximum secondary operating pressure	6	Bar
Weight empty/full	388/2698	kg

\*Primary flow temperature 80°C

<sup>1</sup>Energy Efficiency Class  Hot water storage tanks according to Directive 2010/30/EU and Regulation EU812/2013

## Dimensions:



PWB 2500	Df	De	H	A	H1	H2	H4	H6	H7	H15	H16	H17
	1250	1470	2361	2781	140	551	626	736	976	1816	1741	1891

All dimensions are in mm unless stated otherwise.

## Connections:

PWB 2500	1	2, 3, 11, 13	5	7 & 9	8	10	12	14
	1"	2"	Øi 300mm	½"	1 ¼"	2"	2"	2"