

TECHNICAL SUBMISSION

Trigon XXL ECO 750 Gas Fired Ultra Low NOx Condensing Boiler

General Description:

The Trigon XXL ECO boiler is one of a range of 9 floor standing, stainless steel, fully modulating, ultra-low NOx, gas fired condensing boilers, with maximum outputs ranging between **615 & 1568kW @ 80/60°C ΔT**. Trigon XXL ECO boilers use downward firing pre-mix, water cooled burners which, combined with precise gas to air mixing, results in **extremely low environmental impact NOx emissions (EN 15502) of 20 mg/kWh**. The boiler is calculated to have a **Gross Seasonal Efficiency of 91.2%** which meets with the efficiency criteria as set out in the Non-domestic Building Services Guide Compliance Guide 2010 Edition (with 2011 amendments).

The boiler is very versatile and capable of operating at design condition anywhere between ΔT 10 °C and ΔT 30 °C.

The Trigon XXL ECO Boiler is supplied with three heat exchangers. The first and the third are constructed from smooth stainless steel tubes, whilst the second heat exchanger is assembled using laser welded stainless finned tubes for enhanced heat transfer.

Compliance with Conformity with the following:

Standards:

EN 15502-1
EN 15502-2-1
EN 55014-1/-2
EN 61000-3-2—3
EN 60335-1/-2

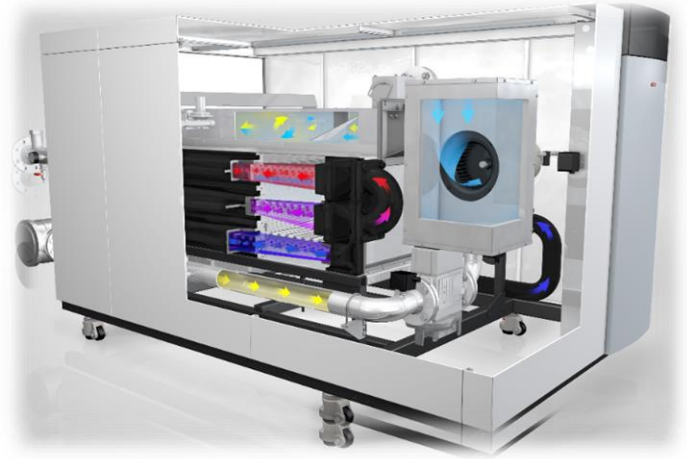
Directives:

1992/42/EEC (Boiler Efficiency Directive)
2016/426/EEC (Gas Appliance Regulation)
2041/35/EU (Low Voltage Directive)
2014/30/EU (EMC Directive)
2009/125/CE Energy Related Products
811-813-814/2013 EU regulation
Gas Appliance Directive 90/396/EEC

Single boilers 300kW and above, must be installed in compliance with BS6644.

The product is designated with CE Number

CE0063CR3158



Warranty: To activate warranty, you must **register your product** within six months of the purchase date. This can be completed by telephone or email.

Tele: **0333 240 8777 option One** - New product registrations.
e-mail: **customer.service.uk@ariston.com**

The following information must be provided:

Appliance serial number

Purchase date

Installation date

Site contact name, email address and telephone number

Product installation address.

On the condition that the product has been installed to manufacturers instructions and the warranty terms and conditions have not been compromised, the standard warranty term for the **TRIGON XXL boilers** is **two years** from date of purchase.

All products that are **not registered**, will have a **one year** warranty period and this will cover **material and manufacture fault**, subject to the product being installed to manufacturers instructions.

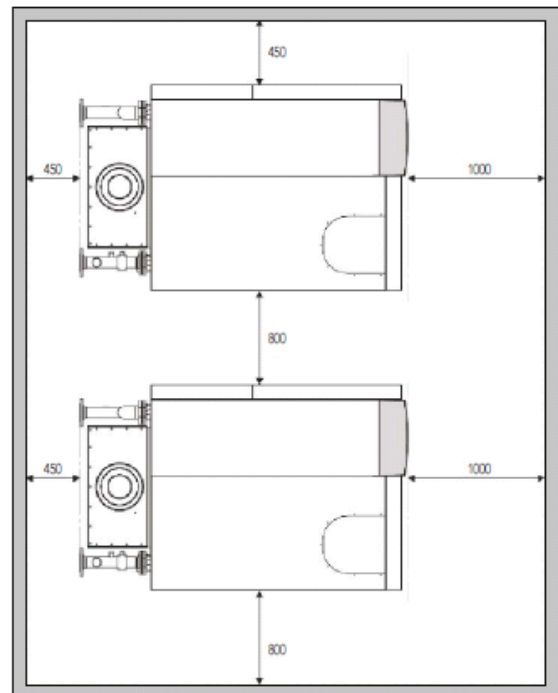
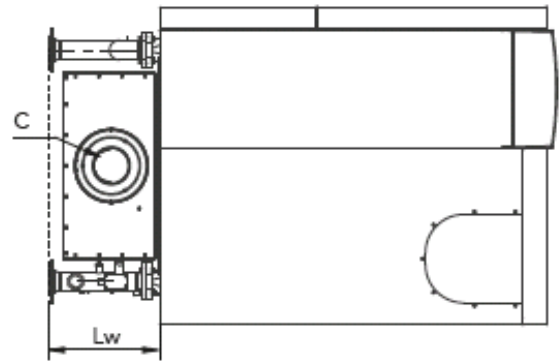
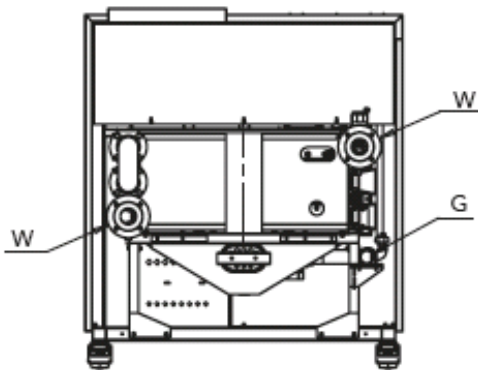
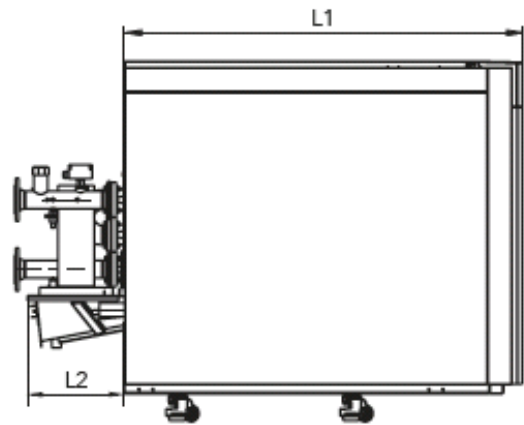
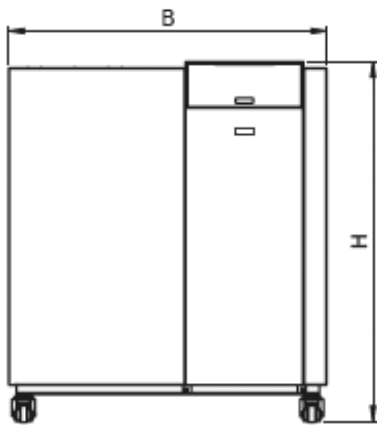
Technical Data:

| Boiler Model | Trigon XXL ECO 750 | |
|---|--------------------|-------------------|
| Nominal Heat Output @ 80/60°C | 719 | kW |
| Minimum Heat Output @ 80/60°C | 204 | kW |
| Nominal Heat Output @ 40/30°C | 732 | kW |
| Minimum Heat Output @ 40/30°C | 227 | kW |
| Nominal Heat Input Full Load – Net | 764 | kW |
| Minimum Heat Input Min Load | 218 | kW |
| Efficiency @ 80/60°C Full Load Net – Gross | 94.1/84.8 | % |
| Efficiency @ 40/30°C Min Load Net – Gross | 104.1/93.8 | % |
| Efficiency @30°C Return 30% Load Gross | 92.7 | % |
| Gross Seasonal Efficiency * | 91.20 | % |
| Gas Consumption max/min Nat Gas G20 | 70.1/20.0 | m ³ /h |
| Gas Consumption max/min LPG G31 | 59.7/17.0 | kg/h |
| Gas Inlet Pressure Nominal Nat Gas G20 | 20 | mbar |
| Gas Inlet Pressure Nominal LPG G31 | 30 | mbar |
| NOx Emissions (EN15502) | 20 | mg/kWh |
| BREAM Credits ** | 2 | - |
| Flue Gas Temperature @ 80/60°C Full Load | 153 | °C |
| Max Permissible Flue Resistance | 150 | Pa |
| Water Pressure Max/Min | 8/1.5 | Bar |
| Maximum Temperature Set-point | 90 | °C |
| Water Flow @ ΔT 11K | 15.6 | lit/sec |
| Hydraulic Resistance @ ΔT 11K | 80 | kPa |
| Water Flow @ ΔT 20K | 8.6 | lit/sec |
| Hydraulic Resistance @ ΔT 20K | 24 | kPa |
| Water Flow @ ΔT 30K | 5.8 | lit/sec |
| Hydraulic Resistance @ ΔT 30K | 11 | kPa |
| Electrical Connection | 400 | V |
| Electrical Power consumption boiler | 900 | W |
| Sound Power Level | 68.7 | dB(A) |
| Weight (empty) | 958 | Kg |
| Water Content | 70 | Litres |
| Dimensions | | |
| Water Connections (W) | DN80 PN16 | - |
| Gas Connection (G) | R2" | - |
| Flue Gas Connection (C) | 350 | mm Ø |
| Air Intake Connection (Room sealed operation) | 355 | mm Ø |
| Condensate Connection | 40 | mm Ø |
| Boiler Length (Including Connections) | 2565 | mm |
| Boiler Length (Excluding Connections (L1) | 2085 | mm |
| Length Chimney Plate (L2) | 550 | mm |
| Width (B) | 1170 | mm |
| Height (H) | 1555 | mm |

* In accordance with equation 2 in the Non-Domestic Building Services Compliance Guide

** BREAM UK New Construction 2018

Dimensions & Clearances:



| Trigon XXL ECO 750 Clearances | mm |
|-----------------------------------|------|
| Front | 1000 |
| Rear | 450 |
| Sides (between boilers) | 450 |
| Recommended at one side of layout | 800 |