

Mediensis Technical College

Medias, Romania



Technical college upgrades to ELCO's advanced boiler technology.

ELCO Heating Solutions has supplied two TRIGON® XL 250 gas condensing boilers to Mediensis Technical College, Medias. The new boilers are providing highly efficient heating and hot water to the entire property.

The challenge

The HVAC system at Mediensis Technical College was upgraded with the latest floor standing boiler technology from ELCO Heating Solutions. The TRIGON® XL 250 represents a major upgrade, with the new boilers offering a range of technical firsts.

Comment

The access to the plant room within the Mediensis Technical College was limited, which created a challenge when replacing the boilers. As a result, it was imperative to specify a compact unit that would be easy to manoeuvre on site. Measuring only 468cm wide and supplied with castor wheels, ensured the TRIGON® XL 250 could be taken through narrow doors and corridors for a hassle free installation.

Featured products:



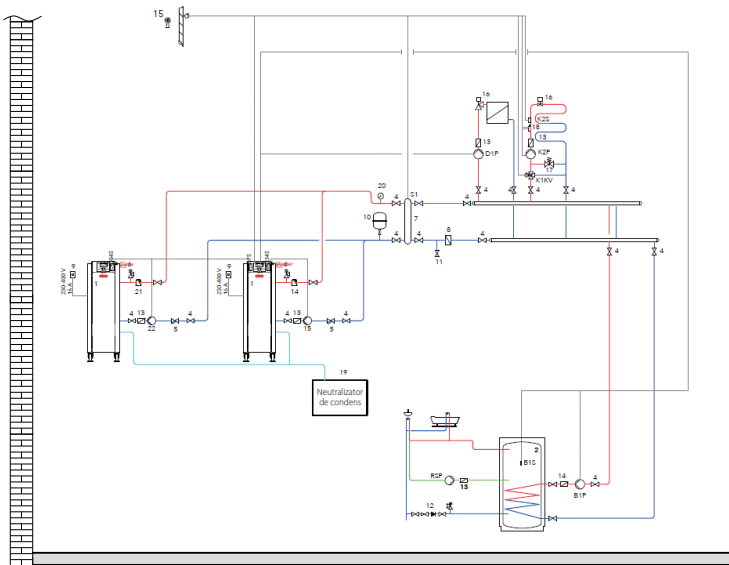
The TRIGON® XL represents a significant step forward in heating technology.

With extremely flexible configurations, clever design and a range of models available, the boiler is perfect for a variety of commercial applications. Plus, extensive cascade arrangements of up to 8 boilers with a combined output of 4,560kW are possible.

- ▶ Unique heat exchanger with HEX³ geometry for class leading NO_x and CO emissions
- ▶ Extremely high efficiency
- ▶ Robust stainless steel heat exchanger
- ▶ Low water content boiler
- ▶ Compact dimensions
- ▶ Can be easily dismantled and reassembled onsite



System schematic



The ELCO solution

The installation of the two ELCO units was part of the complete refurbishment of the heating and hot water system at Mediensis Technical College.

“The final result is outstanding! The new boilers have made a tremendous impact, helping to significantly reduce operating costs and greatly improve all-round reliability.”

Florin Medeşan, Unigroup owner (installing company)

The plant scheme

- ▶ 2 x TRIGON® XL 250 (installed in cascade with equalisation cylinder and four heating circuits)
- ▶ System capability
- ▶ Intelligent control
- ▶ Compact design with small footprint

Benefits

TRIGON® XL 250

